

User Guide



numera®

Welcome

Thank you for choosing Numera Libris 2.

This user guide provides key information about Libris 2, including Important Safety Information. Please review it carefully and keep it nearby for reference. If you have questions that are not addressed in the user guide, please call your customer service number.

⚠ Some features and audio prompts described in this User Guide may not apply to your device. Device settings vary by Service Provider.

About Libris 2®

Libris 2, a personal mobile responder, is cellular-enabled and designed to provide you personal emergency response services whether you are at home, away from home, and even in the shower or bath.

The Libris 2 device is available with the optional Numera service “EverThere®”, which allows the user, his/her family, or other support network to receive alerts for emergency events and track the user via GPS. Talk to your Service Provider about whether EverThere® service is right for you.

Libris 2 can be activated by:

- Pressing the Libris 2 Call Button.
- Detecting a fall while wearing the Libris 2 (if this option is enabled).

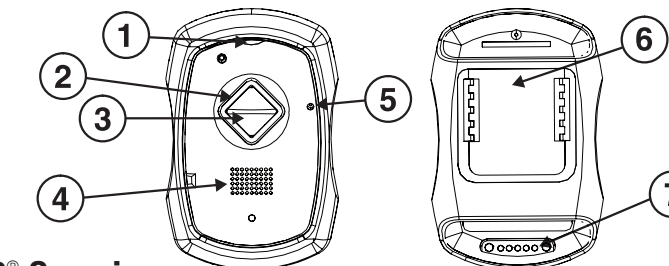
When activated, Libris 2 will automatically call and allow you to speak with your Service Provider response team and provide information about your location. Your Service Provider response team can then notify emergency services for you, if needed.

Box Contents



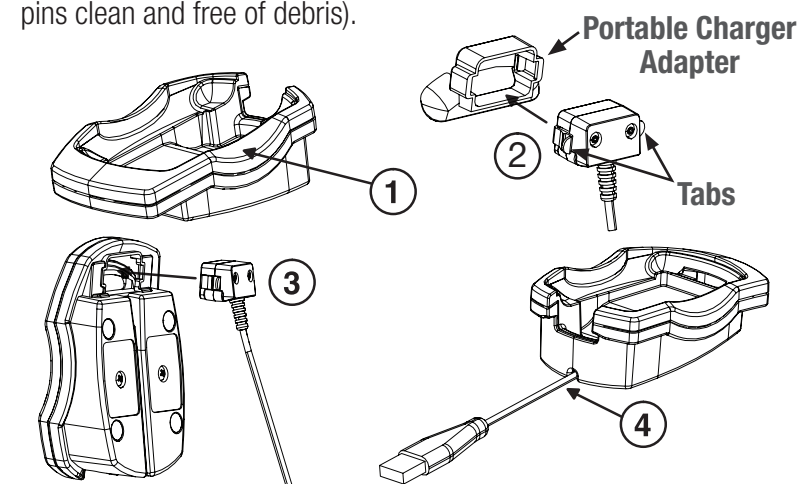
Important Safety Information

- ⚠ FOR PROPER OPERATION, LIBRIS 2 REQUIRES ADEQUATE CELLULAR COVERAGE! POOR CELLULAR COVERAGE MAY RESULT IN THE INABILITY TO PLACE A CALL OR AUTOMATICALLY DETECT A FALL! Check with your Service Provider for known coverage limitations.**
- ⚠ To reduce risk of strangulation, the Libris 2 Lanyard is designed to break apart under certain conditions. Any cord worn around the neck, however, can pose a risk of strangulation, including the possibility of serious injury and death. Libris 2 users and caregivers should exercise care with the Lanyard to ensure it does not get caught or tangled in wheelchairs, walkers and other such equipment.**
- ⚠ The battery in Libris 2 is not designed to be removed or replaced. Battery tampering carries an inherent risk of explosion. Do not tamper with, replace or manipulate the Libris 2 or battery in any way.**
- ⚠ As with all location-based services, it may not always be possible to determine your location. Multi-level buildings, parking garages, and even dense urban areas can make it difficult for satellites and cell phone towers to determine your exact location.**
- ⚠ In an emergency, please provide your Service Provider response team with as much information as possible about your location.**
- ⚠ Libris 2 is not a replacement for regular contact with caregivers or access to an alternative means of placing an emergency call.**
- ⚠ While the fall detection system performs well, no such system is 100% reliable. If you experience a fall that causes actual or potential injury, do not wait for the automatic call. You should always press the Call Button manually in an emergency if you are able.**
- ⚠ Libris 2 requires adequate battery charge for proper operation. Low battery may result in the inability to place a call, automatically detect a fall, and/or properly locate you automatically during an emergency. See below for more information regarding the battery indicator and proper testing.**
- ⚠ Libris 2 is designed to be water-resistant, not waterproof. Usage other than as directed may result in the inability to place a call, automatically detect a fall, and/or properly locate you automatically during an emergency.**
- ⚠ Use only the Numera-provided Cradle and Power Cord. Keep the Cradle and Power Cord in good condition and located where they do not pose a safety hazard. Failure to use Numera’s Cradle and Power Cord may interfere with system performance.**
- ⚠ Test this System weekly. Test this System weekly to ensure the equipment is working properly.**



Libris 2® Overview

1. Cellular Indicator shows cellular signal strength.
2. Battery Indicator, which surrounds the Call Button, shows battery status.
3. Call Button, when pushed, initiates a two-way call to your Service Provider response team.
4. Speaker allows you to hear your Service Provider response team.
5. Microphone allows Service Provider response team to hear you. It is placed 2/3 up the right hand side of the front face.
6. Clip Lock enables you to affix a Lanyard Clip or Belt Clip.
7. Charging Pins connect Libris 2 to the Cradle (be sure to keep these pins clean and free of debris).

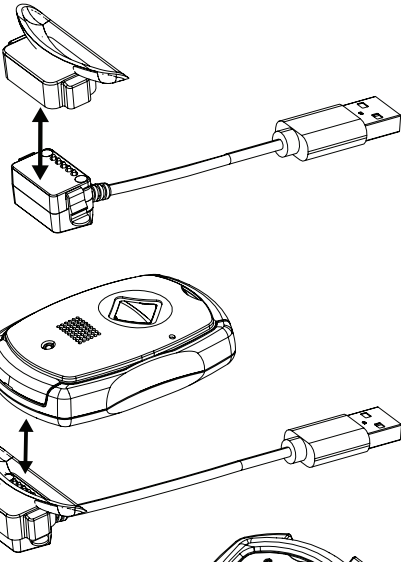


Cradle Overview

1. Cradle is for holding Libris 2 while charging.
2. Charging Pins connect Cradle to the Libris 2 (be sure to keep these pins clean and free of debris). Press tabs inward to remove the Portable Charger Adapter.
3. Power Port is where the low voltage connector of the Power Cord connects to the Cradle. Insert the power cord into the slot in the cradle.
4. Power Cord connects the Cradle’s Power Port to a USB port or standard wall outlet using the power plug adapter. Feed the cord through the slot under the cradle.

Using the Portable Charger Adapter

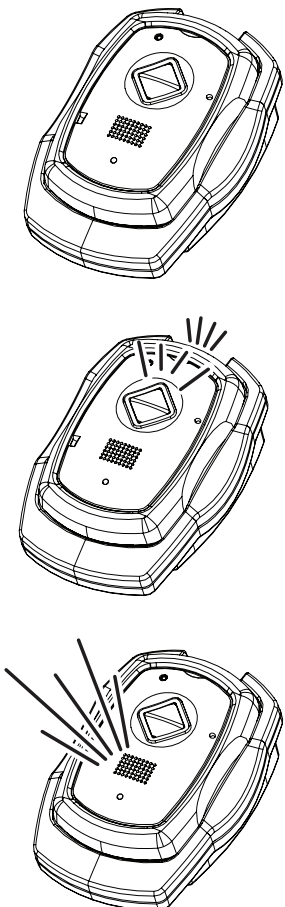
1. If not attached, attach the portable charger adapter to the charging end of the power cord.
2. Rest the Libris 2 on the portable charger adapter. The magnetic pins will secure the Libris 2 unit to the charger.
3. Connect the power cord to a USB port or standard wall outlet using the power plug adapter. The Call Button will flash alternate colors while charging.



Activation and Set Up

Step 1: Activate Libris 2

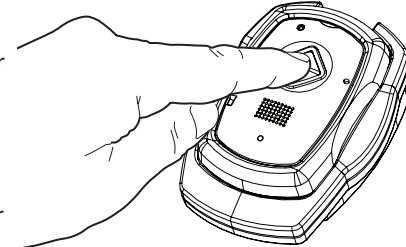
1. Place Libris 2 into the Cradle. While charging, the Cellular and Battery Indicators will be on and show your current cellular signal strength and level of battery charge.
2. Libris 2 should automatically turn on when placed in the Cradle, and it will play an audio message indicating it is ready for its first use: “We are activating your personal mobile responder. We will notify you when activation is complete.” Libris 2 will automatically receive any updates and, once activated on the cellular network, may take up to a minute for Libris 2 to restart.
3. Libris 2 should then play an audio message: “This personal mobile responder will notify your response team when it detects a fall. With one touch of the Call Button your response team will be available to assist you and will pinpoint your location so help can reach you.”



⚠ Note: Fall Detection is an optional feature. Consult your Service Provider to verify your device settings.

Step 2: Call to Complete Set Up

1. To register your personal mobile responder with your Service Provider response team, Libris 2 will say: “It’s time to meet your response team. Please press and hold the Call Button down to connect to your response team now.”
2. With Libris 2 in the Cradle, press and hold the Call Button until Libris 2 initiates the call. Libris 2 can remain in the Cradle during the call to your Service Provider response team.
3. Listen for the audio message: “Calling your response team now.”
4. When you complete the call with your Service Provider response team, Libris 2 will be set up.



⚠ Important: Libris 2 is not ready for use until you have completed the set up call with your Service Provider response team and, following that call, have charged Libris 2 in the Cradle for 4 hours.

⚠ Note: If Libris 2 does not power on and begin the activation process or cannot detect a cellular network, call your Service Provider’s customer service.

Cellular Indicator

The Cellular Indicator on top of Libris 2 shows cellular signal strength.

- When the Cellular Indicator is green, Libris 2 has a strong signal.
- When the Cellular Indicator is amber, Libris 2 has a moderate signal.
- When the Cellular Indicator is red, Libris 2 has a poor signal. Move to an area where you get a cellular signal. Libris 2 will not function properly without an adequate cellular signal.

Cellular Indicator	Strength*
Green	Strong
Amber	Moderate
Red	Poor Signal

*A cellular signal may not be available in all areas.

Battery Indicator

The Battery Indicator, which surrounds the Call Button, shows the level of battery charge.

- When the Battery Indicator is green, Libris 2 adequately charged.
- When the Battery Indicator is amber, Libris 2 is moderately charged.
- When the Battery Indicator is red, the battery charge is low, consider charging soon.

Battery Indicator	Status*	Action Required
Green	Good	No action needed
Yellow	Moderate	Consider charging
Red	Low	Charge soon

*The Libris 2 battery is designed to operate on a single charge for 36 hours but may be reduced as a result of user activity, cellular coverage, talk time, device-specific settings, and device life.

⚠ Important: Libris 2 requires an adequate battery charge to function properly. Prior to use, please charge Libris 2 at least 4 hours. We recommend charging the device each night.

Indicator Light Settings

The cellular and battery indicator light settings may be configured by your Service Provider to flash at a regular interval.

Wearing Libris 2®

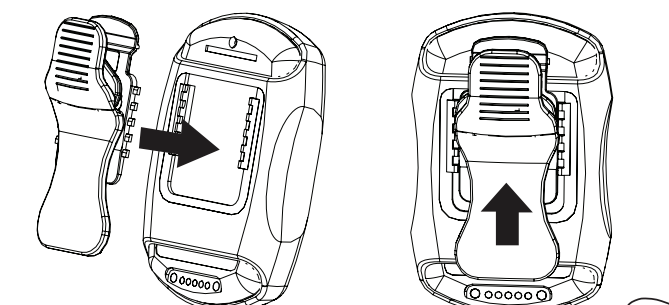
Libris 2 can be worn on a belt using the Belt Clip, or as a pendant around your neck using the Lanyard Clip. Although the Libris 2 can be worn inside clothing, be advised it may be difficult to reach help button in an emergency. Talk to your health care provider regarding the most effective way to wear your Libris 2.

⚠ Use only the Numera-provided Lanyard. To reduce risk of strangulation, the Libris 2 Lanyard is designed to break apart under certain conditions. Any cord worn around the neck, however, can pose a risk of strangulation, including the possibility of serious injury and death. Libris 2 users and caregivers should exercise care with the Lanyard to ensure it does not get caught or tangled in wheelchairs, walkers and other such equipment.

⚠ Important: Libris 2 requires a vertical position with the Call Button facing away from the body to operate properly.

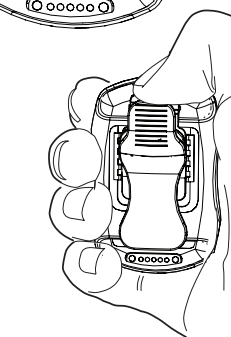
Attaching Belt Clip or Lanyard Clip

1. Align the notched side of the Clip with the notched area on the back.
2. Press inward until the Clip notches are nested within the Libris 2 notches.
3. Firmly push the Clip toward the top of the device. It is secure when you hear a click or you can no longer see the notches on the Clip.



Removing the Clip

1. Hold Libris 2 in your hand as shown, with the Call Button facing the palm of your hand.
2. Forcefully push downward on the Clip with your thumb to open.



Turning On and Off

To turn Libris 2 on, press the Call Button and hold it until the Battery Indicator flashes. Libris 2 will play music while it starts up. Once connected, Libris 2 will play a message: “Your personal mobile responder is ready.” Placing Libris 2 into the Cradle will turn it on automatically. Start-up audio prompts are silenced while this function is carried out in the Cradle.

To turn Libris 2 off, press the Call Button twice, holding down the second press for 7 seconds until Libris 2 plays a message announcing that you have requested to turn it off. It will ask you to confirm by pressing the Call Button one more time. If done correctly, Libris 2 will play the following message: “Powering off now. Good bye.”

⚠ Note: When you first receive Libris 2, leave it in the Cradle for 4 hours in order for the system to operate.

Emergency Calls

Place a Call Manually with Libris 2

To make an emergency call yourself using Libris 2:

- **Step 1.** Press and hold the **Call Button** once.

• **Step 2.** Listen for the audio message: “Calling your response team now. Please hold the device and position the microphone near your mouth to complete your call.”

• **Step 3.** Your Service Provider response team will answer your call, talk to you to assess your needs, and notify emergency services if appropriate.

Automatic Call if a Fall is Detected

If the fall detection option has been enabled, when Libris 2 detects a potential fall while you are wearing the Libris 2, it is designed to automatically call your Service Provider response team:

- If Libris 2 has detected a potential fall, it will announce: “A fall is detected. Calling your response team now. Please hold the device and position the microphone near your mouth to complete your call.”

• If you have fallen and require assistance, push the **Call Button** once manually and do not wait for Libris 2 to automatically place the call.

⚠ Important: Libris 2 requires adequate battery charge and cellular signal to make an emergency call. Some falls may not be detected even with adequate battery charge and cellular signal.

System Care

System Supervision

Supervision works to automatically notify the Service Provider to potential system trouble. Local indications will also provide notification in the case of prolonged trouble.

If the system stops providing local chime tones, voice annunciations, or the indicators on the Libris 2 stop illuminating as described in this manual, contact your Service Provider to determine if the system is operating properly. Customer service will provide instructions on how to test and/or return the unit.



Audio Messages

Libris 2 will deliver an alert tone and the following audio messages to notify you of system changes.

Audio Msg.	“Calling your response team now. Please hold the device and position the microphone near your mouth to complete your call.”
Meaning	Libris 2 is establishing a connection with your response team.
Audio Msg.	“Ending your call now.”
Meaning	The connection with your response team is ending.
Audio Msg.	“A fall is detected. Calling your response team now. Please hold the device and position the microphone near your mouth to complete your call.”
Meaning	Libris 2 has detected a fall and is automatically calling your Service Provider response team.
Audio Msg.	“Your personal mobile responder is powering off. Please confirm by pressing the center button again.”
Meaning	Warning that pushing the Call Button again will turn Libris 2 off and access to emergency help will be lost.
Audio Msg.	“Your response team is initiating a call. They will be with you in a moment.”
Meaning	Your Service Provider response team is calling your Libris 2.
Audio Msg.	“Charge your personal mobile responder soon.”
Meaning	Libris 2 battery charge is low; place Libris 2 in the Cradle for 4 hours.
Audio Msg.	“Charge your personal mobile responder NOW. Please place your personal mobile responder in the Charger now.”
Meaning	Libris 2 battery charge is critically low; place Libris 2 in the Cradle immediately and leave in Cradle for 4 hours.
Audio Msg.	“Calling your response team now. Please hold the device and position the microphone near your mouth to complete your call. To cancel, press the Call Button twice and hold for 7 seconds.”
Meaning	A call to your Service Provider response team has been initiated. To cancel a call, press the Call Button twice and hold during the second press for 7 seconds.
Audio Msg.	“No cellular coverage. Your personal responder cannot contact your response team but will continue to attempt a call. Placing your personal responder in the charger will cancel the call.”
Meaning	Libris 2 detected a fall but is beyond cellular range. Libris 2 cannot contact the Service Provider response team but will keep attempting to call.

*This is not a comprehensive list: not all audio messages are enabled by default. Your Service Provider may elect to activate/deactivate some messages.

Specifications

Your new Numera Libris 2 is designed to the following specifications:

Wide Area Cellular Connectivity	LTE Cat1
Location Services	On-board Global Positioning Services (GPS) and mobile network Location Based Services (LBS).
Local Area Connectivity	Bluetooth BLE V5
Audio	Full duplex speakerphone; providing communication up to 1 meter from device.
Automatic Fall Detection	On-board sensors for free-fall and 3-dimensional space analysis using proprietary algorithms.
Fall Detection Analysis	Fall detection identification using cloud-based proprietary algorithms and class libraries.
Battery Life	36-hour standby battery life; battery life may be reduced as a result of user activity, cellular coverage, talk time, device-specific settings, and device life.
Battery Indicator	Light indicates level of battery charge. <ul style="list-style-type: none">● Green: At least 30% charged● Amber: Moderately charged● Red: Low charge
Cellular Indicator	Light indicates cellular signal strength. <ul style="list-style-type: none">● Green: Strong signal● Amber: Moderate signal● Red: Poor signal
Dimension	73 x 46 x 18 mm (without belt clip or lanyard clip).
Manual Alert	Mechanical touch button initiates voice call and simultaneous data transmission to call center.
Casing	Polycarbonate thermal plastic casing with IK06 rating.
Weight	50 grams
Certifications	Federal Communication Commission (FCC), Certified Mobile Operator (PTCRB)
Environment	Water-resistant; designed to be worn in the shower or bath. Submersible up to 1 meter for 30 minutes (IP67). Shatter-resistant from 2 meters (IK06). Functional at temperatures from -20°C to 60°C. Charging temperature range 0°C to 45°C. Conditions exceeding 45°C could slow or interrupt normal charging cycle.

FCC Part 15

This device complies with Part 15 of the FCC Rules. Operation is subject to the following two conditions: (1) this device may not cause interference, and (2) this device must accept any interference, including interference that may cause undesired operation of the device.

This equipment has been tested and found to comply with the limits for a Class B digital device, pursuant to Part 15 of the FCC Rules, and the Canadian Department of Communications Equipment Standards titled, “Digital Apparatus.” ICES-003. These limits are designed to provide reasonable protection against harmful interference in a residential installation. This equipment generates, uses and can radiate radio frequency energy and, if not installed and used in accordance with the instructions, may cause harmful interference to radio communications. However, there is no guarantee that interference will not occur in a particular installation. If this equipment does cause harmful interference to radio or television reception, which can be determined by turning the equipment off and on, the user is encouraged to try to correct the interference by one or more of the following measures:

- Reorient or relocate the receiving antenna.
- Increase the separation between the equipment and receiver.
- Connect the equipment into an outlet that is on a different circuit from the one to which the receiver is connected.
- Consult the dealer or an experienced radio/TV technician for help.

Changes or modifications not expressly approved by the party responsible for compliance could void the user’s authority to operate the equipment.

This device complies with Industry Canada license-exempt RSS standard(s). Operation is subject to the following two conditions: (1) this device may not cause interference, and (2) this device must accept any interference, including interference that may cause undesired operation of the device.

Le présent appareil est conforme aux CNR d’Industrie Canada applicables aux appareils radio exempts de licence. L’exploitation est autorisée aux deux conditions suivantes: (1) l’appareil ne doit pas produire de brouillage, et (2) l’utilisateur de l’appareil doit accepter tout brouillage radioélectrique subi, même si le brouillage est susceptible d’en compromettre le fonctionnement.

We, Nortek Security & Control, LLC of 5919 Sea Otter Place, Carlsbad, CA 92010, declare under our sole responsibility that the devic000e, Libris 2.0 complies with Part 15 of the FCC rules.

FCC & IC Notice

This device complies with Part 15 of the FCC Rules and Industry Canada license exempt standard(s). Operation is subject to the following two conditions:

- (1) This device may not cause harmful interference, and
- (2) This device must accept any interference received, including interference received that may cause undesired operation.

Le présent appareil est conforme aux CNR d’Industrie Canada applicables aux appareils radio exempts de licence. L’exploitation est autorisée aux deux conditions suivantes:

- (1) l’appareil ne doit pas produire de brouillage, et
- (2) l’utilisateur de l’appareil doit accepter tout brouillage radioélectrique subi, même si le brouillage est susceptible d’en compromettre le fonctionnement.

This Class B digital apparatus complies with Canadian ICES-003

Cet appareil numérique de la classe B est conforme à la norme NMB-003 du Canada.

This equipment has been tested and found to comply with the limits for a Class B digital device, pursuant to Part 15 of the FCC Rules. These limits are designed to provide reasonable protection against harmful interference in a residential installation.

This equipment generates, uses, and can radiate radio frequency energy and, if not installed and used in accordance with the instructions may cause harmful interference to radio communications. However, there is no guarantee that interference will not occur in a particular installation. If this equipment does cause harmful interference to radio or television reception, which can be determined by turning the equipment off and on, the user is encouraged to try to correct the interference by one or more of the following measuras:

- Reorient or relocate the receiving antenna.
- Increase the separation between the equipment and receiver

Terms of Use

BY ACTIVATING YOUR NUMERA Libris 2 (“Libris 2”), YOU (“User”) AGREE TO THESE TERMS OF USE (“Terms of Use”), WHICH GOVERN YOUR USE OF NUMERA Libris 2. PLEASE READ THEM AND THE IMPORTANT SAFETY INFORMATION IN THIS USER GUIDE CAREFULLY.

Numera Libris 2 contains software code that is protected by U.S. and international copyright laws. NSC retains ownership to all copyrights. Users have a limited license to use Libris 2 only in accordance with the Terms of Use in this user guide. Any modification, copying, reverse engineering, or other use that is not authorized by law, by this license, or by the express written consent of NSC is strictly prohibited. Unauthorized reproduction or distribution of copyrighted materials in the United States is subject to civil and criminal remedies pursuant to Title 17 of the United States Code.

Libris 2 provides User’s location to your Dealer Service Provider and Monitoring Response team in order to respond to an event requiring assistance. By activating the Libris 2 product, User agrees to allow Libris 2 to provide the Dealer Service Provider and Monitoring Center Response team with the User’s location. Similarly, if User subscribes to EverThere® service, by activating Libris 2, User consents to response team providing location information to those members of the User’s EverThere® network/team. By activating Libris 2, User consents to the use of their personally identifiable information as described in NSC’s privacy policy and notice, located at www.numera.com/privacy.

Your consent will be valid for the duration of your relationship with Libris 2 unless you revoke it. You may revoke your consent by contacting your dealer. If you do not consent or you revoke consent, we may be unable to provide you with assistance during an alert event.

NSC reserves the right to revise and update these Terms of Use at any time. User should review these Terms of Use periodically as your continued use of Libris 2 means you accept such changes and additional terms that may apply.

General Disclaimers

- For proper operation, Libris 2 requires adequate cellular coverage. Poor cellular coverage may result in the inability to place a call and automatically detect a fall.
- In an emergency, User should provide the response team with as much information as possible about their location.
- Libris 2 is not a replacement for User’s regular contact with caregivers or access to an alternative means of placing an emergency call.
- While the fall detection system performs well, no such system is 100% reliable. If User experiences a fall that causes actual or potential injury, do not wait for the automatic call. User should always press the **Call Button** manually if able.
- Libris 2 requires adequate battery charge for proper operation. Low battery may result in the inability to place a call, automatically detect a fall, and/or properly locate User automatically during an emergency.
- Libris 2 utilizes both Global Positioning System (GPS) and network Location Based Services (LBS) in order to find User’s current location. By activating the Libris 2 product, User agrees to allow NSC and their affiliates to use this information to provide services to them in the case of an emergency response.
- Libris 2 provides User’s location to a response team in order to respond to an event requiring assistance. By activating the Libris 2 product, User agrees to allow Libris 2 to provide the response team with User’s location.
- Libris 2 Lanyards are designed to break apart under certain conditions; however, any cord worn around the neck can pose a risk of strangulation, including the possibility of serious injury or death.
- Libris 2 does not provide medical advice. User should always consult his or her physician or other healthcare professional with any question regarding any medical or mental health condition, or for specific guidance regarding nutrition or physical activity.

- Connect the equipment into an outlet on a circuit different from that to which the receiver is connected
- Consult the dealer or an experienced radio/TV technician to help.

WARNING:

Changes or modifications not expressly approved by the manufacturer could void the user’s authority to operate the equipment.

Package Disposal



External Packaging: Cardboard, Recycle



Internal Packaging: Blister Pack, Polyethylene terephthalate, Recycle PETE

Battery Guidelines

- Improper battery use may result in a fire, explosion or other hazard.**
- Do not modify or remanufacture, attempt to insert foreign objects into the battery, immerse or expose to water or other liquids, expose to fire, explosion or other hazard.
- Only use the battery with a charging system that is supplied with the product. Use of an unqualified battery or charger may present a risk of fire, explosion, leakage, or other hazard.
- Do not disassemble, open, crush, bend, deform, puncture or shred battery.
- Properly dispose of used batteries in accordance with local regulations.
- Avoid dropping the device or battery. If the device or battery is dropped, especially on a hard surface, and you suspect damage to the battery, call your customer service number for instructions.
- The device may only be charged via the charger’s power port using the Libris 2 Charger included with the product.

Symbols Used

On packaging, labeling and in parts of this user guide, you may encounter the following symbols shown here with their meaning:



Caution - there are specific warnings and precautions associated with the use of this device



Manufacturer



This equipment has been tested and found to comply with the limits for a Class B digital device, pursuant to Part 15 of the FCC Rules



Numera, Numera Libris 2®, “Measurably Better Health” are trademarks of Nortek Security & Control LLC. All other company and product names used herein may be trademarks, or registered trademarks of the respective companies.